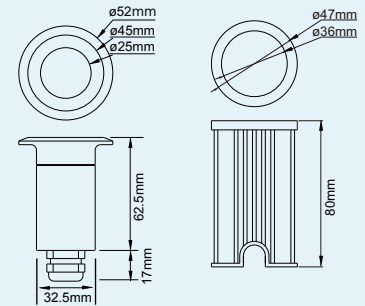




Product Size



Specification

Model No.:	RS-UW3W316X(88139)
Front cover & Housing:	Stainless steel 316L
Dimensions:	D52*H79.5mm
Tempered Glass:	6mm thickness
LED chip:	Epistar
LED Q'ty:	1pc 3W LED / 1pc 3in1 LED
Cable gland:	Stainless steel 316L PG9
Driver:	Constant current driver
Lens:	Clear, Bead, Frosted
Beam Angle Options:	10° 30° 45° 60° 90°
Power Cable:	2*1.0mm ² / 4*0.75mm ² VDE rubber cable
Protection Class:	IP68
Environment:	Dry / Submerged
Mounting Hardware:	Embedded System
Net Weight:	0.45kgs with 1.5m cable
Lifetime:	>50000H

Order information

Item code	Color	Light source(w)	Line Way	Input Voltage (v)	Operating current (mA)	Consumption (w)	Luminous (lm)
88139.013.01	2700-3000K	1*3	V+/V-	DC12	250	3	140
88139.013.02	4000-4500K	1*3	V+/V-	DC12	250	3	148
88139.013.03	5000-5500K	1*3	V+/V-	DC12	250	3	155
88139.013.04	6000-6500K	1*3	V+/V-	DC12	250	3	155
88139.013.05	Red	1*3	V+/V-	DC12	166	2	35
88139.013.06	Green	1*3	V+/V-	DC12	250	3	90
88139.013.07	Blue	1*3	V+/V-	DC12	250	3	40
88139.013.08	Yellow	1*3	V+/V-	DC12	250	3	95
88139.013.09	RGBV+ (build-in CC driver)	1*3in1	R/G/B/V+	DC12	R: 83 B: 83	G: 83 B: 1	R: 25 B: 30

