



LED full color DMX512 controller

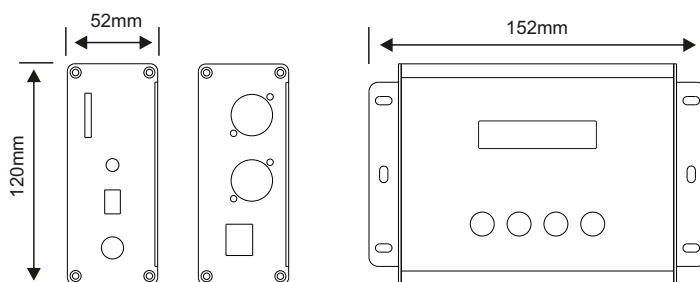
### Features

- Meets DMX512(1990).
- Digital screen shows current status.
- Wireless remote controller.
- 256 levels of grey, totally 16.77 million colors, really full color.
- Various modes with Pause function.
- Nine different speed level.
- Automatic parameter memory.
- Various output interface, XLR-3 Male & Female, Rj45.
- Convenient for wiring and installation.
- Good function at anti-jamming and auto-resumption.
- SD card built-in software.

### Technical Parameter

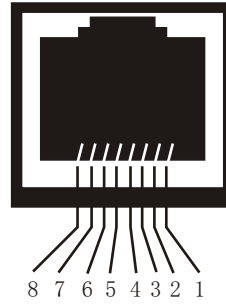
Input Voltage:	12VDC(Include 220/110V AC adaptor)
Power Consumption:	<5W
Memory:	32KB
Output interface:	1 x RJ45, 2 x XLR-3
Transmission interface:	DMX512 (1990)
Transmission speed:	250Kbps
Pixels:	50 pixels, 170 pixels max.
Control mode:	Asynchronous full-color control
Remote distance:	50m
Description:	Fixed 30 modes, such as flash,
Channel:	Fade, streamy, chase, etc
	3 channels(RGB-DMX)
	4 channels(RGBW-DMX)
Size:	L152 x W20 x H52mm
N. W. :	0.65 KG
G. W. :	0.8 KG

### Dimension Diagram

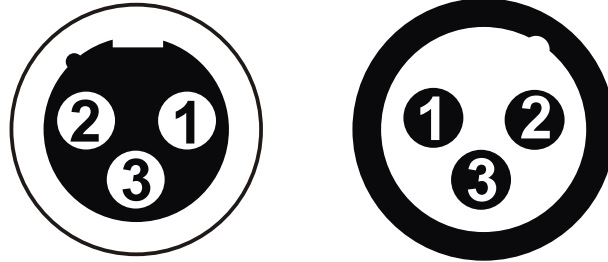


**DMX500 Output Interface Instruction****1. RJ45 output interface**

PIN 1: DATA+  
 PIN 2: DATA-  
 PIN 3-6: NC  
 PIN 7-8: GND

**2. XLR 3 output interface**

PIN 1: GND  
 PIN 2: DATA-  
 PIN 3: DATA+

**Control Mode (3 channels)**

Mode 1: Static Red  
 Mode 2: Static Green  
 Mode 3: Static Blue  
 Mode 4: Static Orange  
 Mode 5: Static Purple  
 Mode 6: Static Gyan  
 Mode 7: Static White  
 Mode 8: Red fade out and fade in  
 Mode 9: Green fade out and fade in  
 Mode 10: Blue fade out and fade in

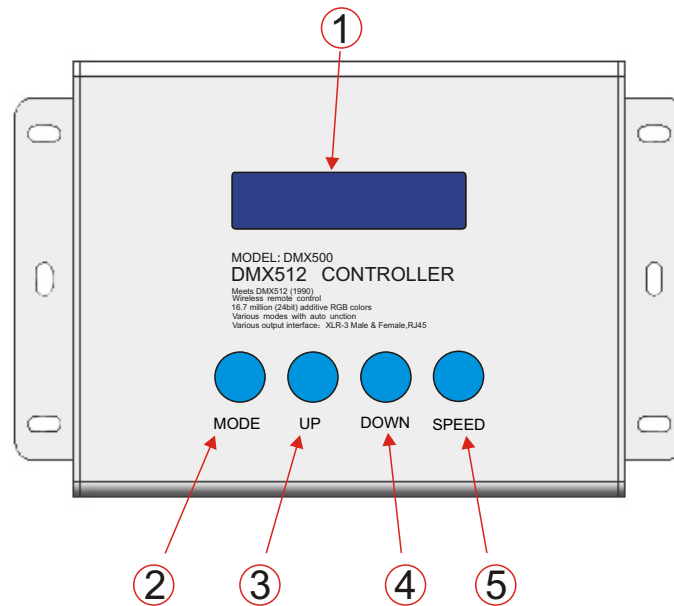
Mode 11: Orange fade out and fade in  
 Mode 12: Purple fade out and fade in  
 Mode 13: Cyan fade out and fade in  
 Mode 14: White fade out and fade in  
 Mode 15: RGB jumping  
 Mode 16: RGB strobe  
 Mode 17: 7 Color jumping  
 Mode 18: 7 Color strobe  
 Mode 19-27: 7 color smooth  
 Mode 28-30: RGB color smooth

**Control Mode (4 channels)**

Mode 1: Static Red  
 Mode 2: Static Green  
 Mode 3: Static Blue  
 Mode 4: Static White  
 Mode 5: Static Orange  
 Mode 6: Static Purple  
 Mode 7: Static Gyan  
 Mode 8: Red fade out and fade in  
 Mode 9: Green fade out and fade in  
 Mode 10: Blue fade out and fade in

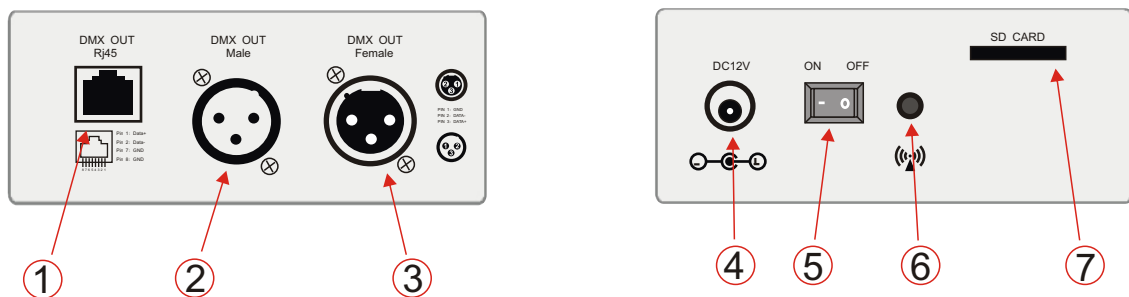
Mode 11: White fade out and fade in  
 Mode 12: Orange fade out and fade in  
 Mode 13: Purple fade out and fade in  
 Mode 14: Gyan fade out and fade in  
 Mode 15: RGB jumping  
 Mode 16: RGB flash  
 Mode 17-19: RGB color smooth  
 Mode 20-27: RGBW color smooth  
 Mode 28-30: White color smooth

## DMX500 Top Panel Instruction



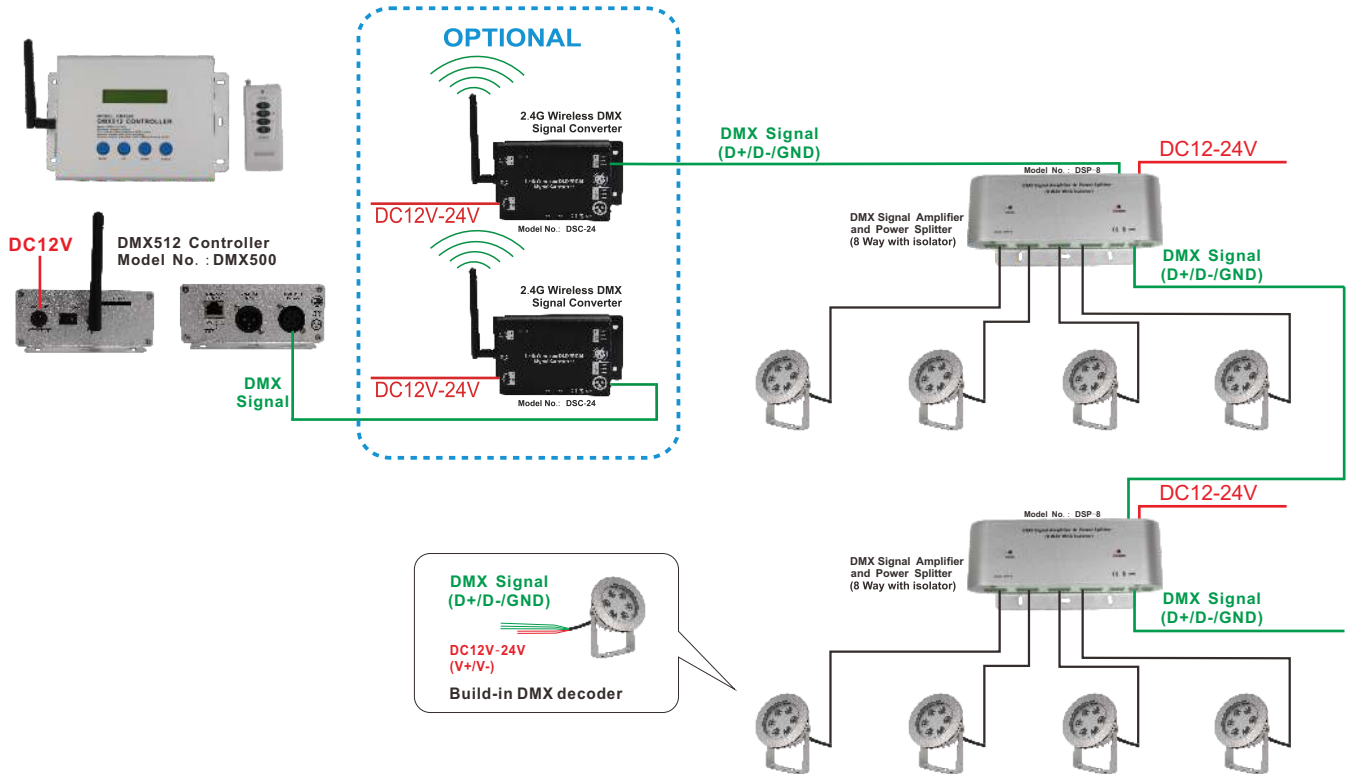
- ① LCD (Display mode and speed)
- ② MODE: Change mode by pressing this button (Single mode or Auto change mode)
- ③ UP: mode up by pressing this button
- ④ DOWN: mode down by pressing this button
- ⑤ SPEED: Speed up by pressing this button (speed 1 to 9)

## Side Panel Instruction

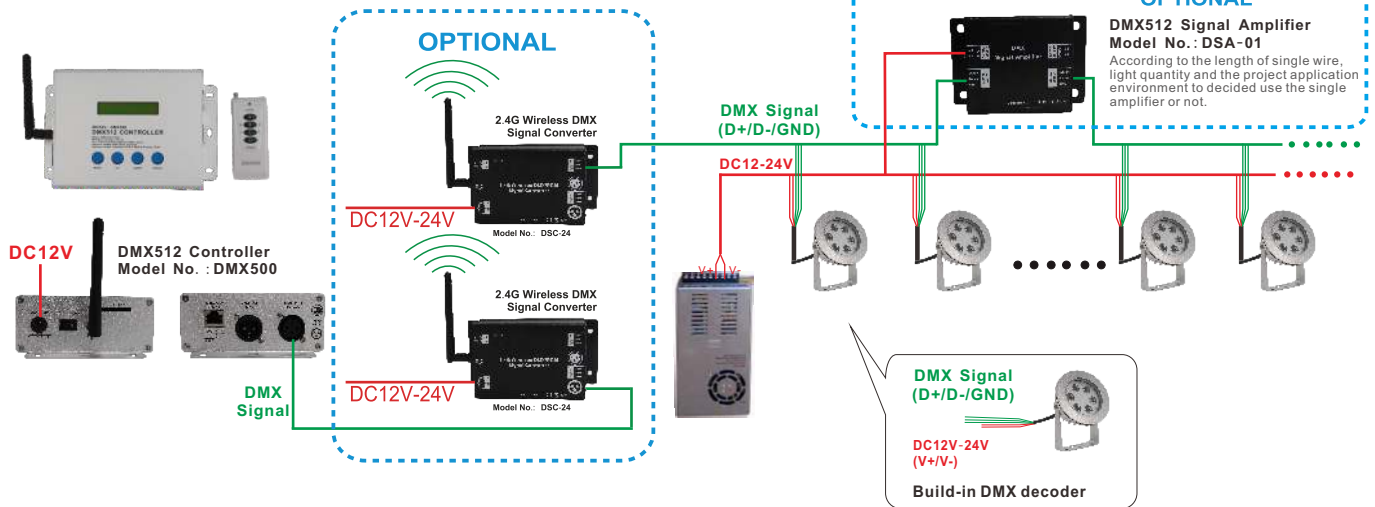


- ① RJ45 output
- ② XLR 3 Male output interface
- ③ XLR 3 Female output interface
- ④ 12VDC input interface
- ⑤ Power On/Off
- ⑥ Wireless receiver
- ⑦ SD memory card

## 1. DMX512 connection mode (Splitter)



## 2. DMX512 connection mode (Amplifier)



## 3. External connection mode (CV)

